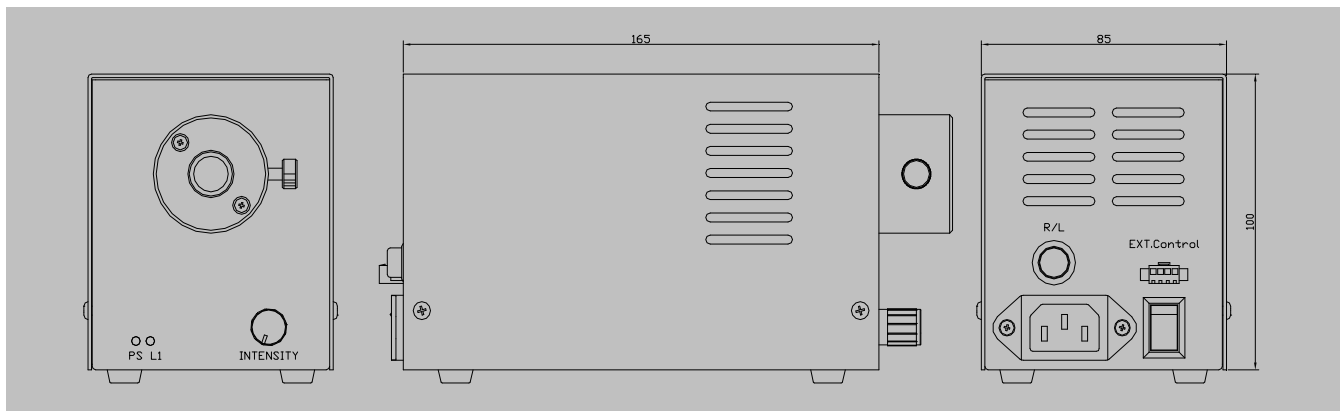


- . Achieves illumination of approximately 200,000 lx(White LED color) *¹
- . Provides high reliability with stable brightness and a long lifetime of 25,000 hours*²

*1 Actual value observed 50mm from the end of the fiber when the light intensity control is set at 100% and a straight light guide a joint diameter of 8mm is attached.

*2 Calculated value until the output decreases to 70% at a light intensity of 100% and an ambient temperature of 25°C. (Value not guaranteed)



.Specifications

Model	WFB-05-W	WFB-05-R	WFB-05-B	WFB-05-G
LED color	White	Red	Blue	Green
Wavelength	6300K(typ.)	630nm(typ.)	470nm(typ.)	520nm(typ.)
Driver method	Constant current			
Light intensity control	Local:intensity control knob Remote:external DC0-5V by using the L/R switch on the front panel			
ON/OFF control	External control terminal			
Power supply	AC85-264V/50Hz(60Hz)/10W			
Operating environment	Temperature:0-40 °C ,Humidity:25-85% RH(No condensation)			
Storage environment	Temperature:-20-60 °C ,Humidity:25-85% RH(No condensation)			
Cooling method	Forced air cooling,Intake vents:rear, Exhaust vents:sides			
Weight	1.5Kg Max.			

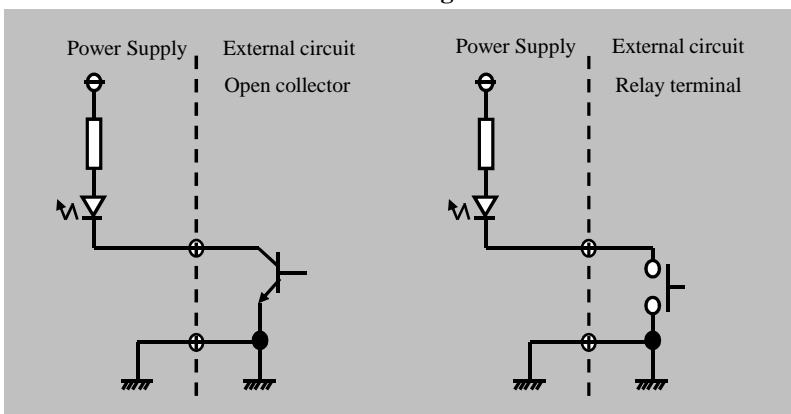
□ Light guide attachment adaptor,Compatible with a wide variety of light guides, please contact to 86-21-54710295

.External control terminal

Pin No.	Signals
1	+(DC0-5V)
2	-(DC0-5V)
3	+(ON/OFF)
4	-(ON/OFF)

* External On/Off control cable: CBC2-(cable length)

How to connect the external On/Off signal



In order to make controlling from external input activate, short the "External Control" to "GND".